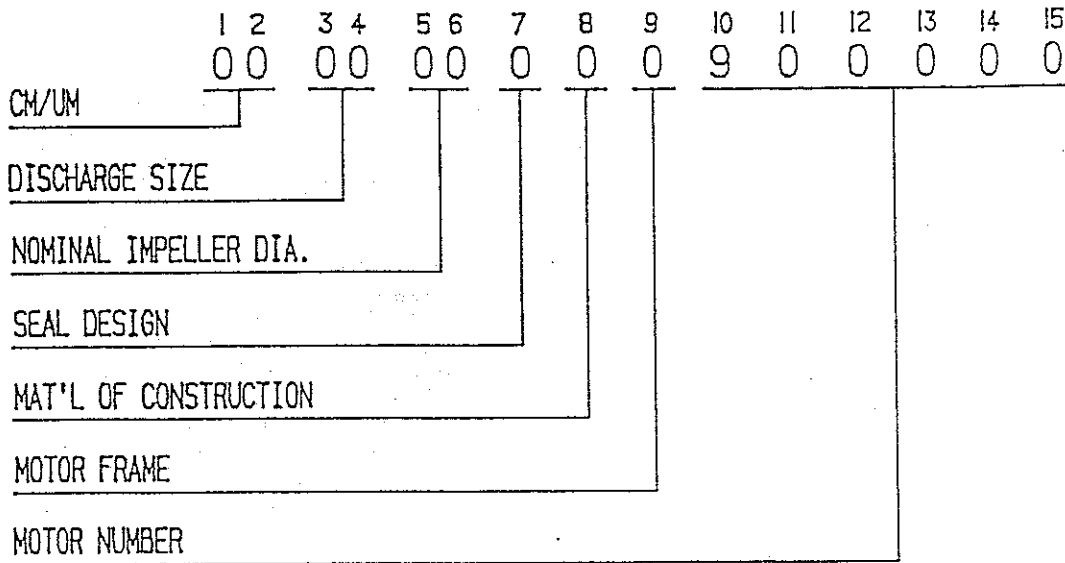


KEY TO CM/UM PUMP CODE CLOSE COUPLED



0 0
0 0
0 0
0 0 0
0
0
0
0 0 0 0 0 0

STAMP NAMEPLATE WITH ACTUAL
 IMPELLER DIA IN POSITION SHOWN

REFERENCE ONLY

NOV 06 1997

REV	DATE	DESCRIPTION	APP	REV	DATE	DESCRIPTION	APP
C	6-25-93	ECN 2590					

KEY TO CM/UM PUMP CODE
CLOSE COUPLED

PUMP TYPE
 0000000000000000
 CM/UM CLOSE COUPLED

DISCHARGE SIZE & NOMINAL IMPELLER DIA.
 0000000000000000

DISCHARGE SIZE (IN)	NOM. IMP. DIA. (IN)	DISCHARGE SIZE (METRIC)	NOM. IMP. DIA. (METRIC)
12	06	03 (32mm)	13 (130mm)
15	06	04 (40mm)	13 (130mm)
20	06	05 (50mm)	13 (130mm)
25	06	06 (65mm)	13 (130mm)
12	07	03 (32mm)	16 (160mm)
15	07	04 (40mm)	16 (160mm)
20	07	05 (50mm)	16 (160mm)
25	07	06 (65mm)	16 (160mm)
30	07	08 (80mm)	16 (160mm)
12	08	03 (32mm)	20 (200mm)
15	08	04 (40mm)	20 (200mm)
20	08	05 (50mm)	20 (200mm)
25	08	06 (65mm)	20 (200mm)
30	08	08 (80mm)	20 (200mm)
40	08	10 (100mm)	20 (200mm)
12	10	03 (32mm)	26 (260mm)
15	10	04 (40mm)	26 (260mm)
20	10	05 (50mm)	26 (260mm)
25	10	06 (65mm)	26 (260mm)
30	10	08 (80mm)	26 (260mm)
40	10	10 (100mm)	26 (260mm)
50	10	12 (125mm)	26 (260mm)
25	13	06 (65mm)	32 (320mm)
30	13	08 (80mm)	32 (320mm)
40	13	10 (100mm)	32 (320mm)

REFERENCE ONLY

NOV 06 1997

REV	DATE	DESCRIPTION	APP	REV	DATE	DESCRIPTION	APP
C	6-25-93	ECN 2590					

KEY TO CM/UM PUMP CODE
 CLOSE COUPLED

SEAL DESIGN
 0000000000000000
 SEE SEAL SECTION A-950-456

MATERIAL OF CONSTRUCTION
 0000000000000000

1. ALL IRON
2. BRONZE FITTED
3. BRONZE FITTED W/ST.STL. SHAFT SLEEVE

MOTOR FRAME (JP)
 00000000000000000

CODE	FRAME	CODE	FRAME
		D	213-215
B	143-145	E	254-256
C	182-184	F	284-286
		G	324-326

MOTOR NUMBER
 00000000000000000
 SEE MOTOR LIST, STANDARD SECTION, 110-209

SPECIAL MOTOR NUMBER
 000000009000000
 SEE DRAWING A-952-373 FOR MOTOR PART NUMBERS
 SPECIAL MOTOR NUMBERS ARE 5 DIGETS LONG AND
 MUST BE PRECEDED BY A 9 (FOR USE WITH PALLET MODULE)

REFERENCE ONLY

NOV 0 6 1997

REV	DATE	DESCRIPTION	APP	REV	DATE	DESCRIPTION	APP
C	6-25-93	ECN 2590					

KEY TO CM/UM PUMP CODE
 CLOSE COUPLED

	1	2	3	4	5	6	7	8	9	10	11	12	13	14	15	PART TYPE	TYPE MOD.
END ITEM	C	M														M	E
MOTOR																P	C
COMMON PARTS MODULE	C	M	0	0	0	0	0	0	0							T	M
							S	P	P							SPP	MOD.
PALLET MODULE	C	M	0	0	0	0	0	0		0	0	0	0	0		T	M
							S	P	P							SPP	MOD.
SEAL & SLEEVE MODULE	C	M	0	0	0	0										T	M
							S	P	P							SPP	MOD.
ADAPTER MODULE	C	M						0	0							T	M
							S	P	P							SPP	MOD.
BASIC PARTS MODULE	C	M						0								T	M
							S	P	P							SPP	MOD.
COVER MODULE	C	M						0	0	0	0	0	0	0		T	M
							S	P	P							SPP	MOD.

REFERENCE ONLY

NOV 06 1997

REV	DATE	DESCRIPTION	APP	REV	DATE	DESCRIPTION	APP
C	6-25-93	ECN 2590					

KEY TO CM/UM PUMP CODE
CLOSE COUPLED