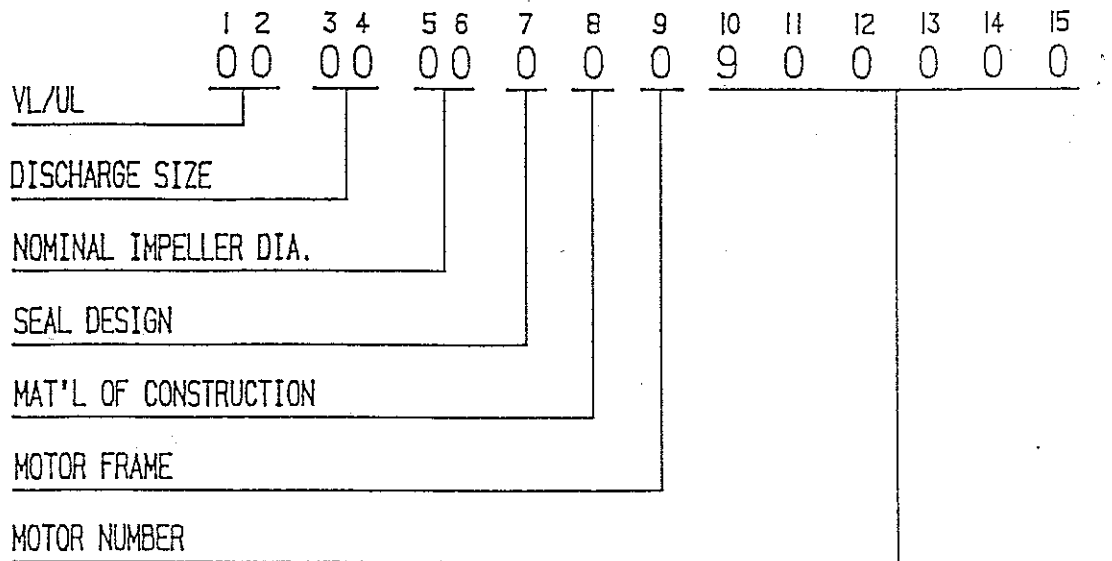


# KEY TO VL/UL PUMP CODE VERTICAL IN-LINE



0 0  
0 0  
0 0  
0 0 0  
0  
0  
0  
0 0 0 0 0 0 0

STAMP NAMEPLATE WITH ACTUAL  
 IMPELLER DIA IN POSITION SHOWN

REFERENCE ONLY

NOV 06 1997

REV	DATE	DESCRIPTION	APP	REV	DATE	DESCRIPTION	APP
C	6-24-93	ECN 2590					

KEY TO VL/UL PUMP CODE  
VERTICAL IN-LINE

PUMP TYPE  
 0000000000000000  
 VL/UL VERTICAL IN-LINE

DISCHARGE SIZE & NOMINAL IMPELLER DIA.  
 0000000000000000

DISCHARGE SIZE (IN)	NOM. IMP. DIA. (IN)	DISCHARGE SIZE (METRIC)	NOM. IMP. DIA. (METRIC)
15	06	04 (40mm)	13 (130mm)
20	06	05 (50mm)	13 (130mm)
25	06	06 (65mm)	13 (130mm)
30	06	08 (80mm)	13 (130mm)
15	07	04 (40mm)	16 (160mm)
20	07	05 (50mm)	16 (160mm)
25	07	06 (65mm)	16 (160mm)
30	07	08 (80mm)	16 (160mm)
40	07	10 (100mm)	16 (160mm)
20	08	05 (50mm)	20 (200mm)
25	08	06 (65mm)	20 (200mm)
30	08	08 (80mm)	20 (200mm)
50	08	12 (125mm)	20 (200mm)
25	10	06 (65mm)	26 (260mm)
30	10	08 (80mm)	26 (260mm)

SEAL DESIGN  
 0000000000000000  
 SEE SEAL SECTION A-950-456

MATERIAL OF CONSTRUCTION REFERENCE ONLY  
 0000000000000000

NOV 06 1997

1. ALL IRON
2. BRONZE FITTED
3. BRONZE FITTED W/ST.STL. SHAFT SLEEVE

C	6-24-93	ECN 2590					
---	---------	----------	--	--	--	--	--

KEY TO VL/UL PUMP CODE  
 VERTICAL IN-LINE

MOTOR FRAME (JP)  
 0000000000000000

CODE	FRAME	CODE	FRAME
		D	213-215
B	143-145	E	254-256
C	182-184	F	284-286
		G	324-326

MOTOR NUMBER  
 0000000000000000  
 SEE MOTOR LIST, STANDARD SECTION, 110-209

SPECIAL MOTOR NUMBER  
 000000009000000  
 SEE DRAWING A-952-373 FOR MOTOR PART NUMBERS  
 SPECIAL MOTOR NUMBERS ARE 5 DIGETS LONG AND  
 MUST BE PRECEDED BY A 9 (FOR USE WITH PALLET MODULE)

**REFERENCE ONLY**

NOV 06 1997

C	6-24-93	ECN 2590					

KEY TO VL/UL PUMP CODE  
 VERTICAL IN-LINE

	1	2	3	4	5	6	7	8	9	10	11	12	13	14	15	PART TYPE	TYPE MOD.
END ITEM	V L _____															M	E
MOTOR	_____															P	H
COMMON PARTS MODULE	V L 0 0 0 0 0 0 0 0															T	M
	S P P _____															SPP MOD.	
SLEEVE MODULE	V L 0 0 0 0 0 0															T	M
	S P P _____															SPP MOD.	
SEAL MODULE	V L 0 0 0 0 0 0															T	M
	S P P _____															SPP MOD.	
COVER & ADAPTER MODULE	V L _____ 0 0															T	M
	S P P _____															SPP MOD.	
PALLET MODULE PUMP-COMPLETE	V L _____ 0 0 9 0 0 0 0 0															T	M
	S P P _____															SPP MOD.	
BASIC PARTS MODULE	V L _____ 0															T	M
	S P P _____															SPP MOD.	

## REFERENCE ONLY

NOV 06 1997

C	6-24-93	ECN 2590													
---	---------	----------	--	--	--	--	--	--	--	--	--	--	--	--	--

KEY TO VL/UL PUMP CODE  
VERTICAL IN-LINE